



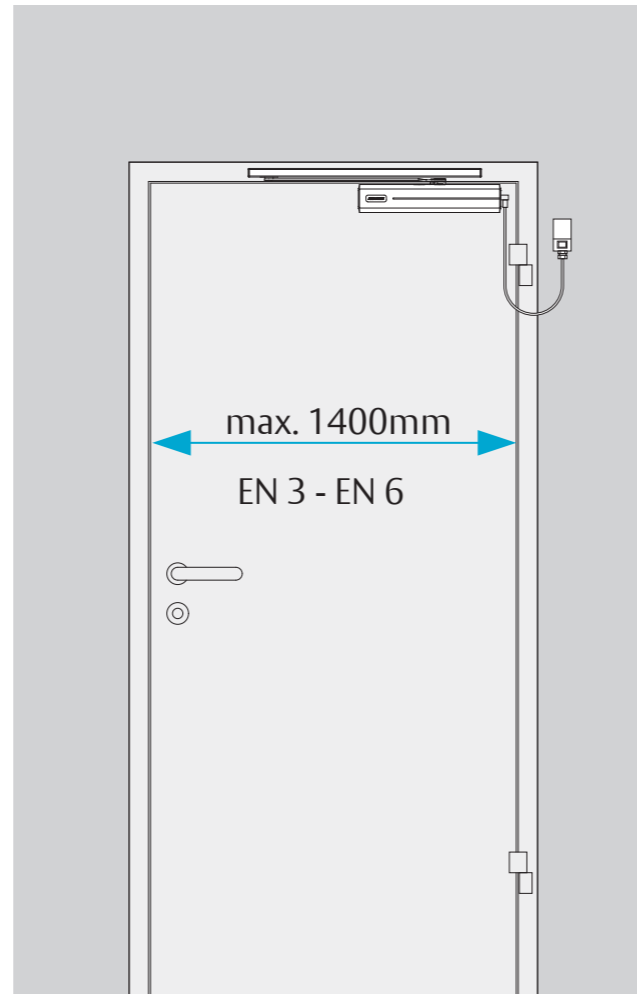
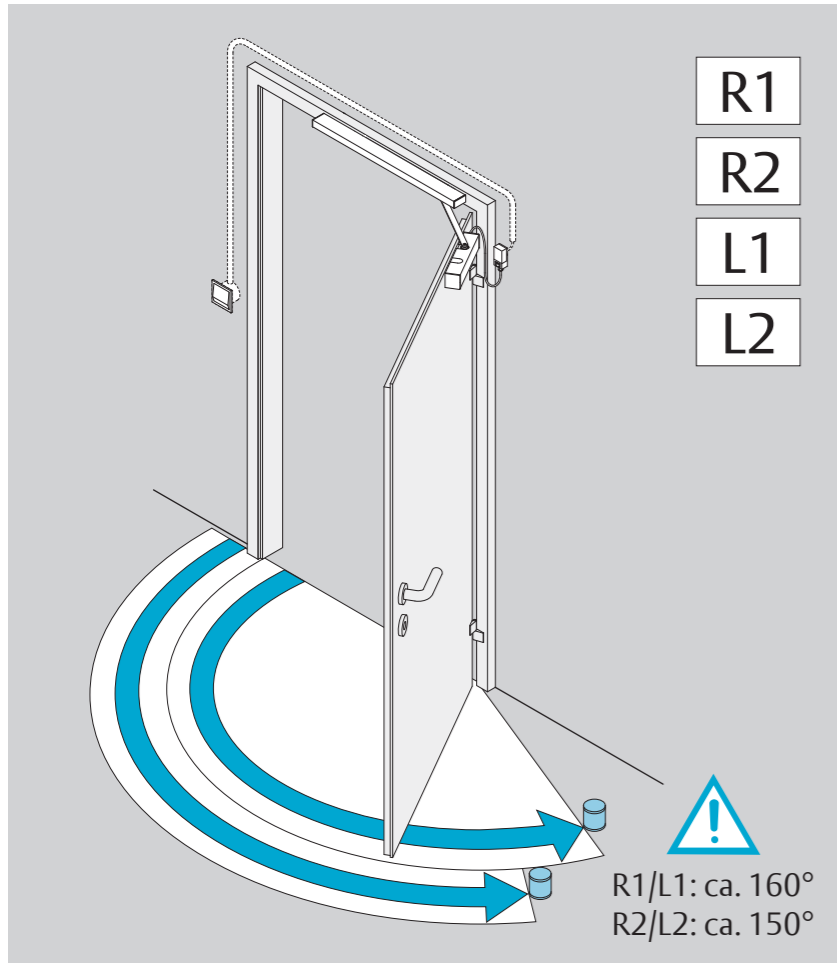
www.abloy.com/dop



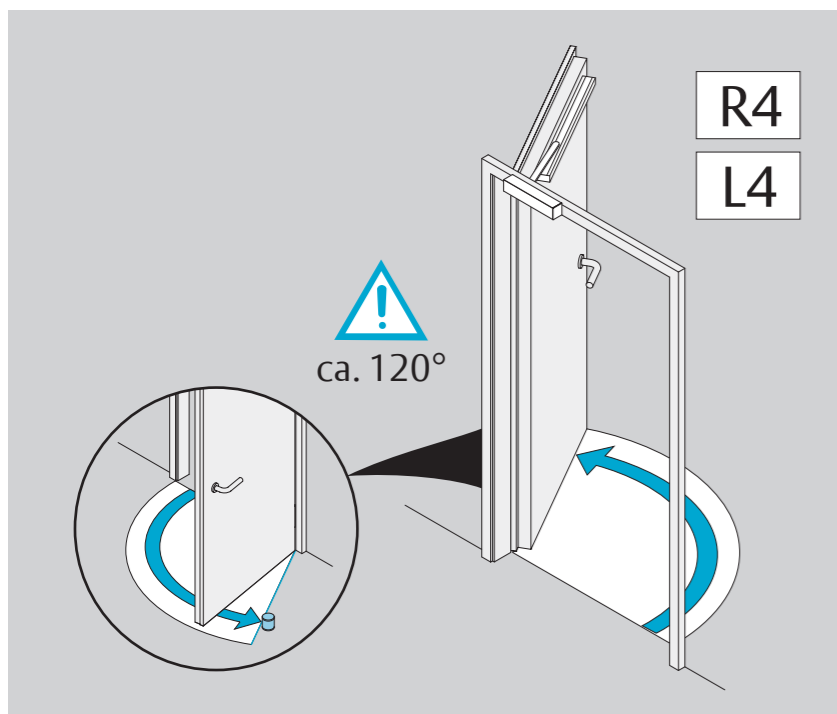
DoP



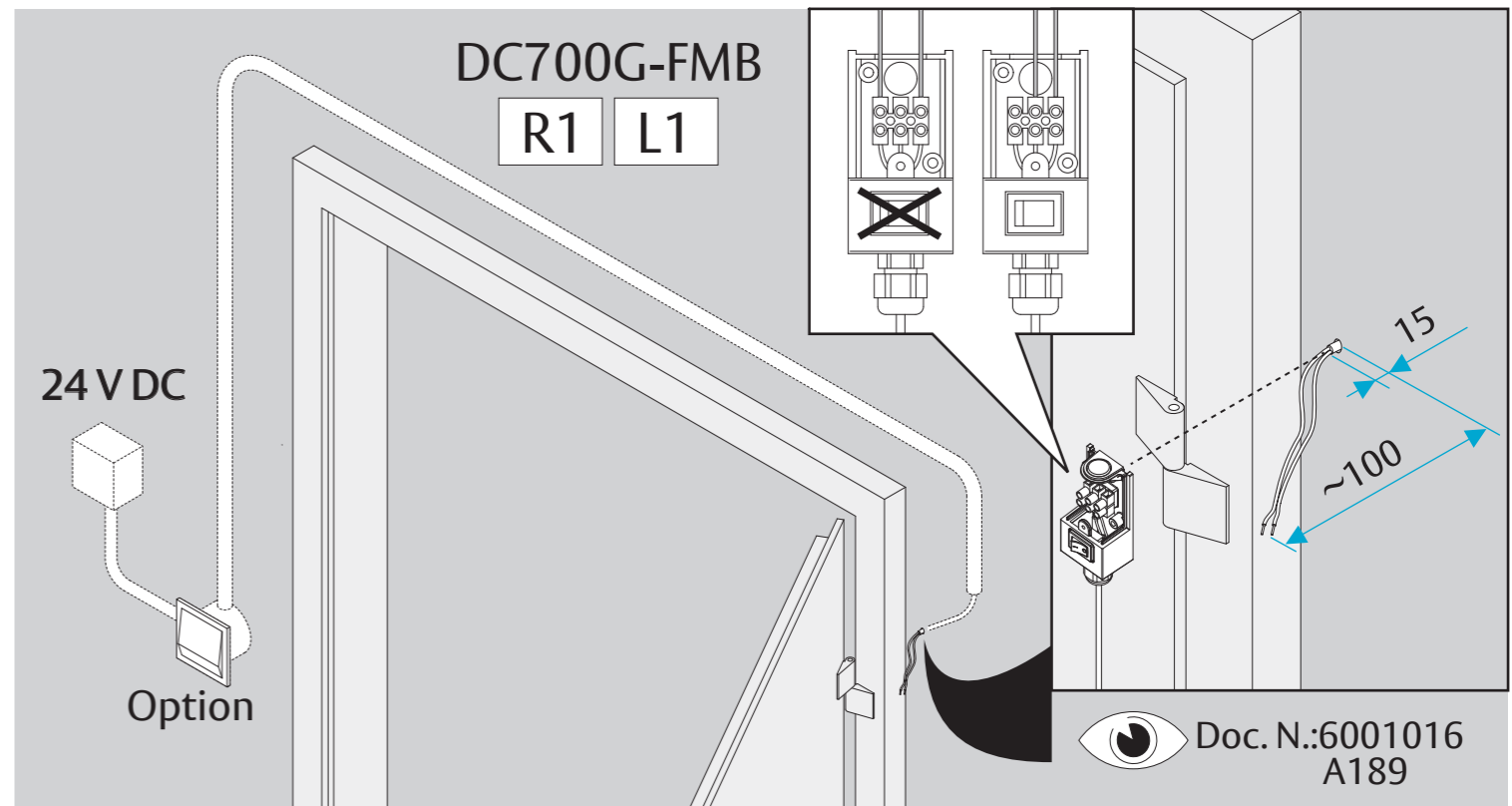
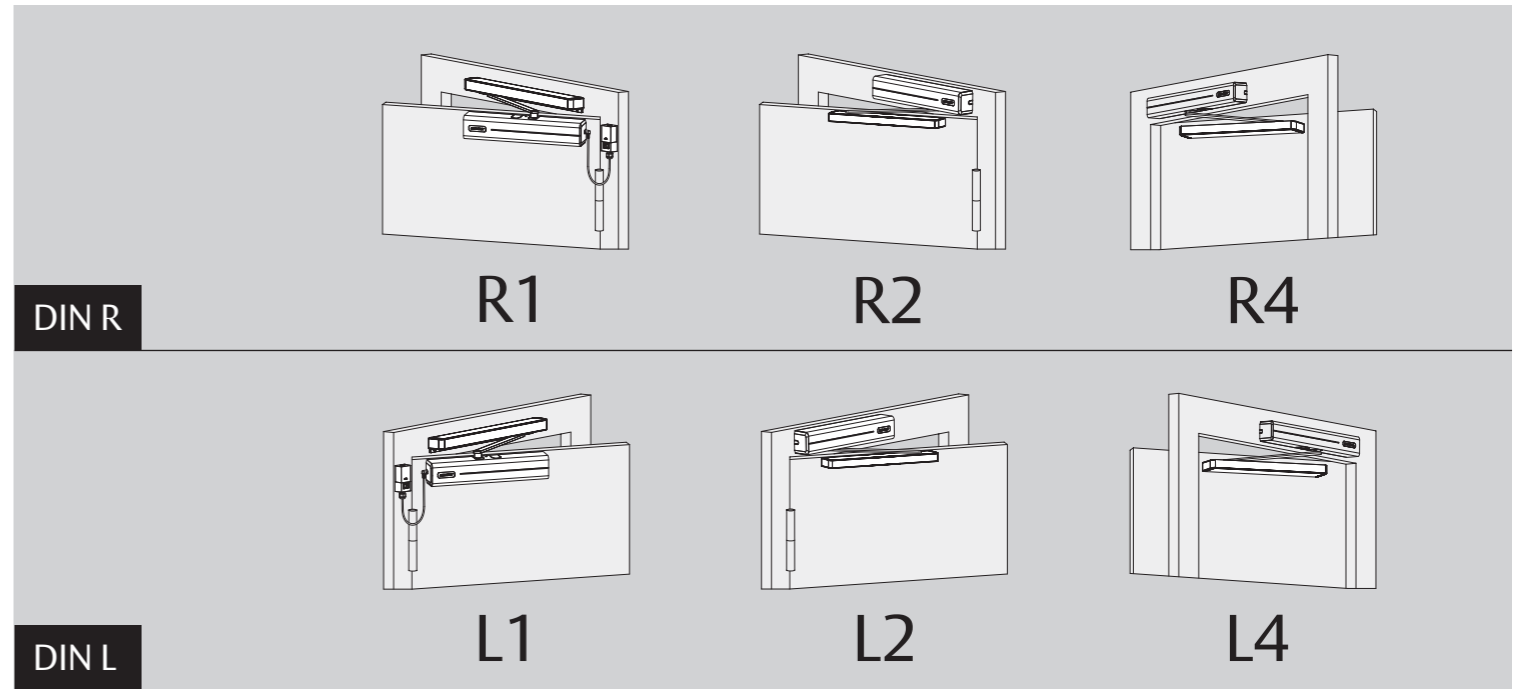
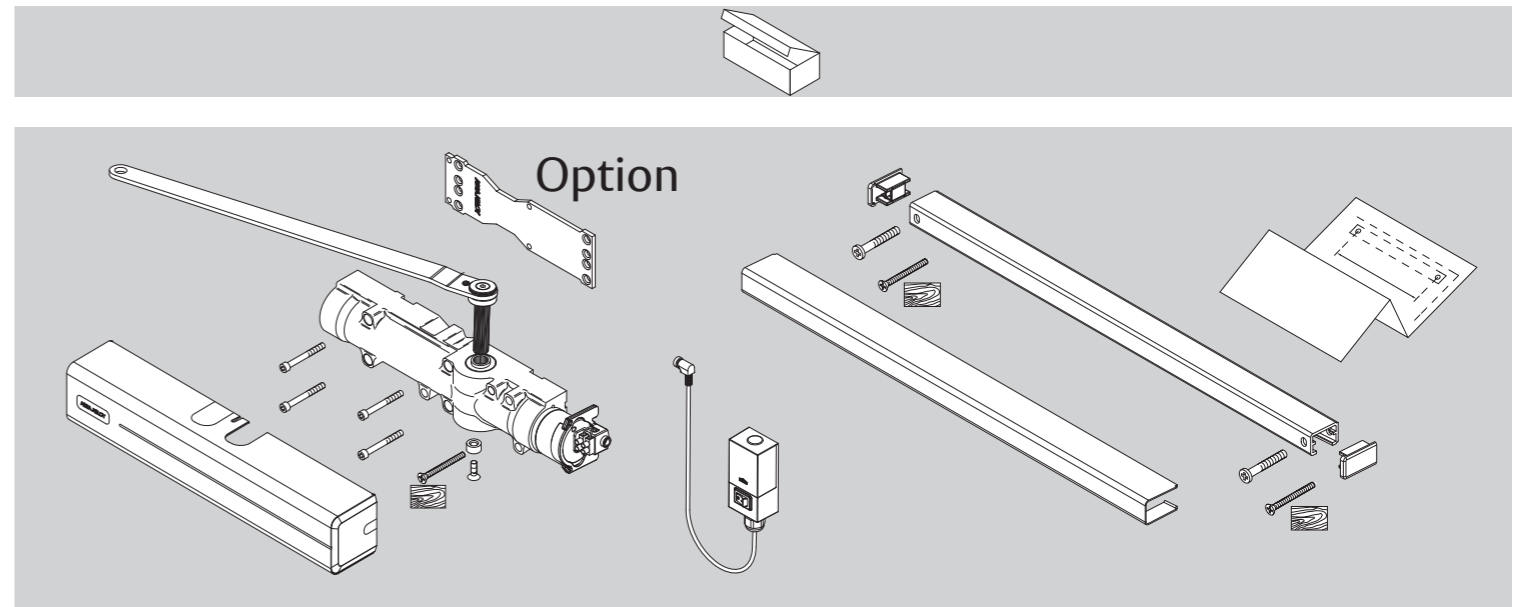
www.abloy.com/dop

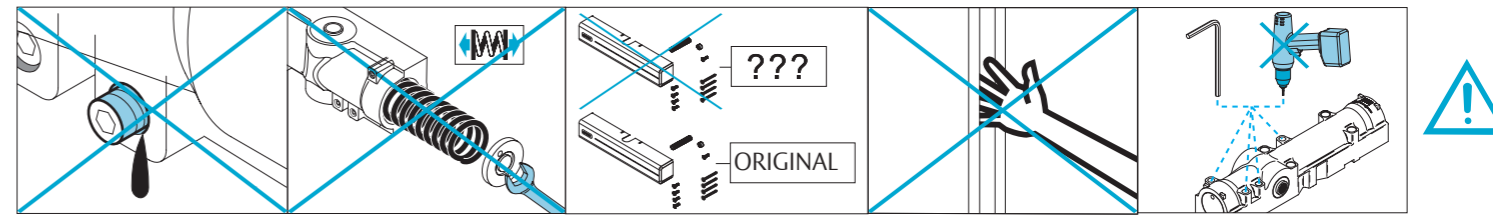
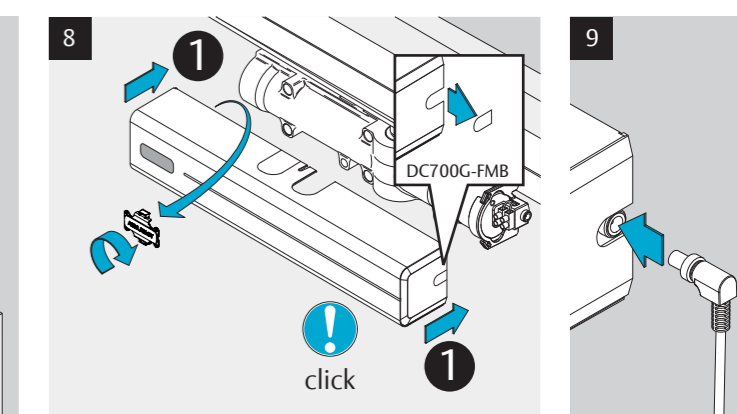
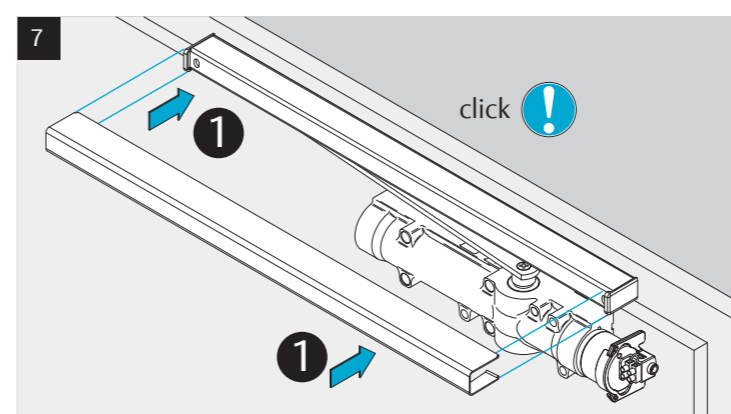
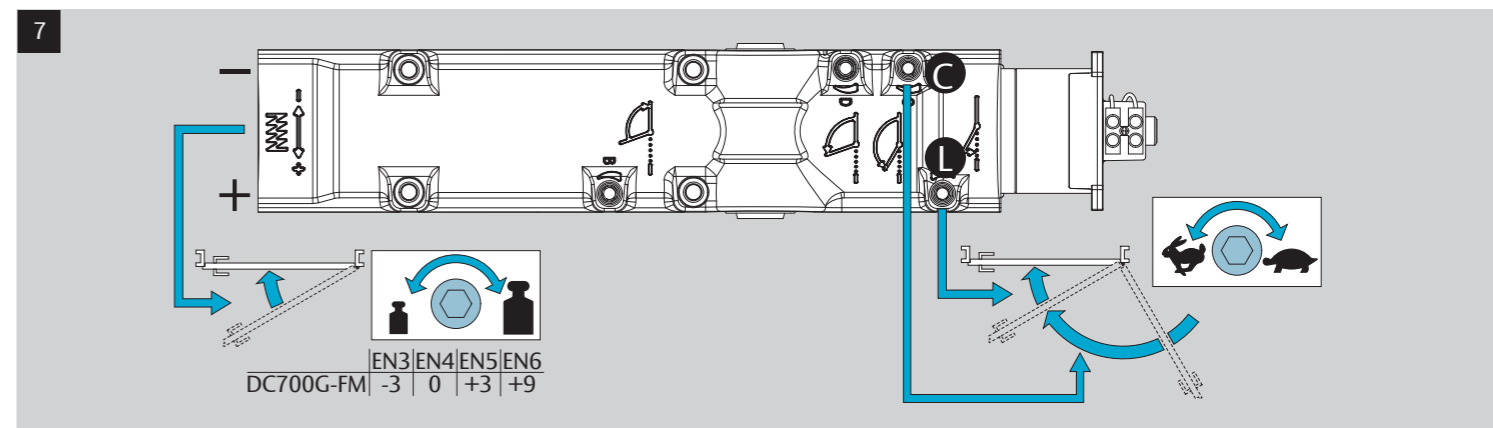
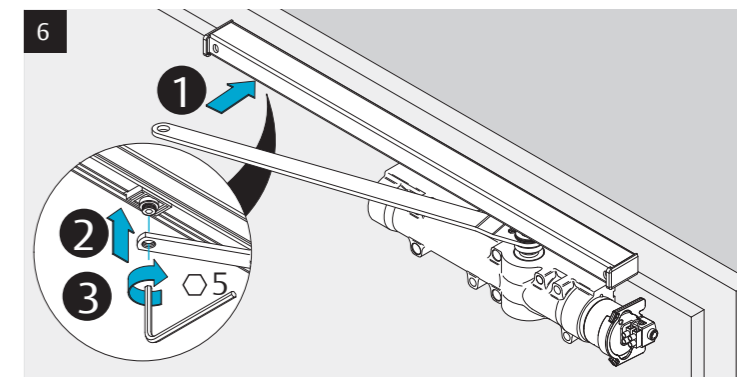
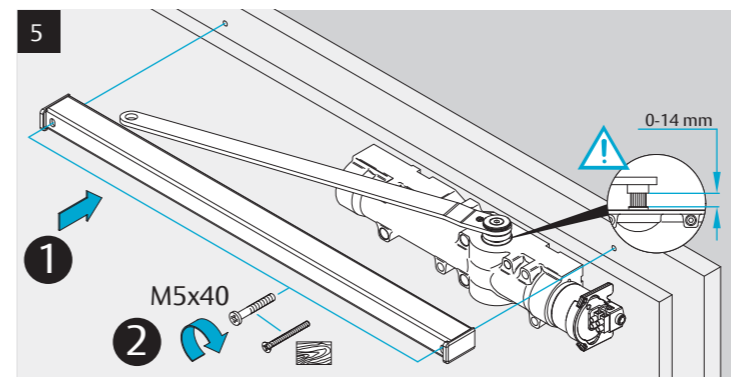
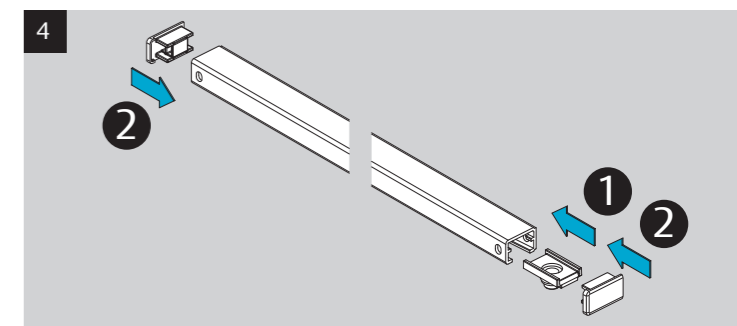
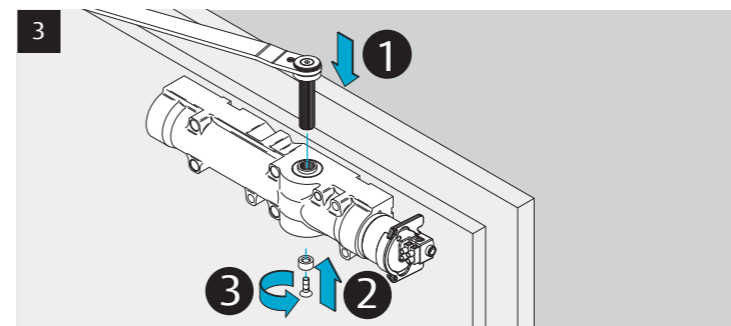
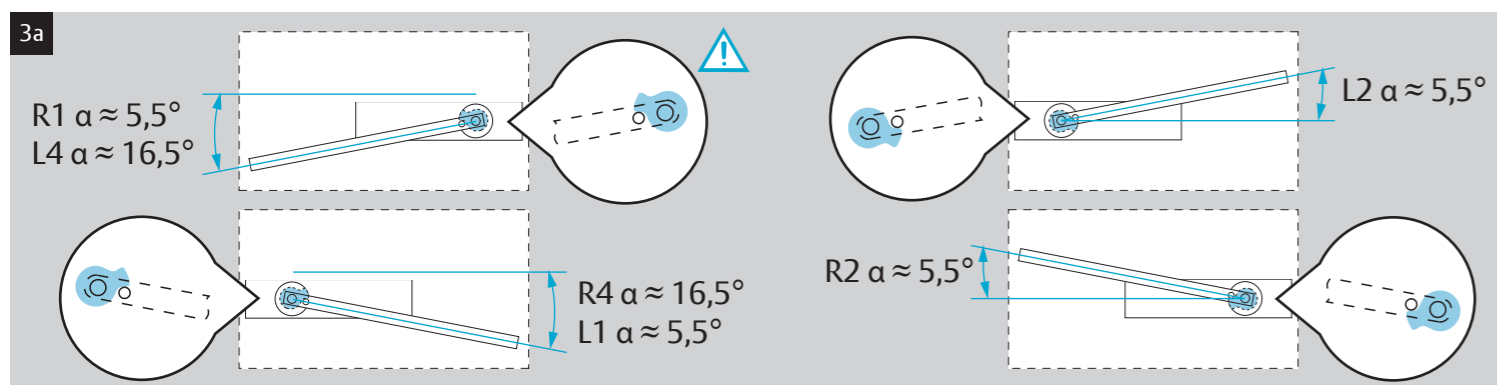
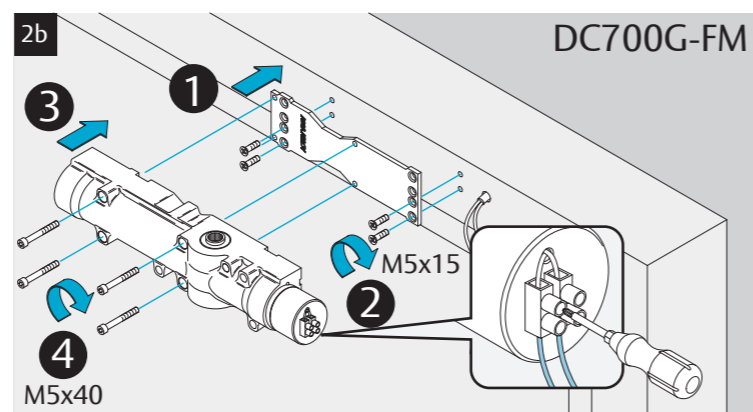
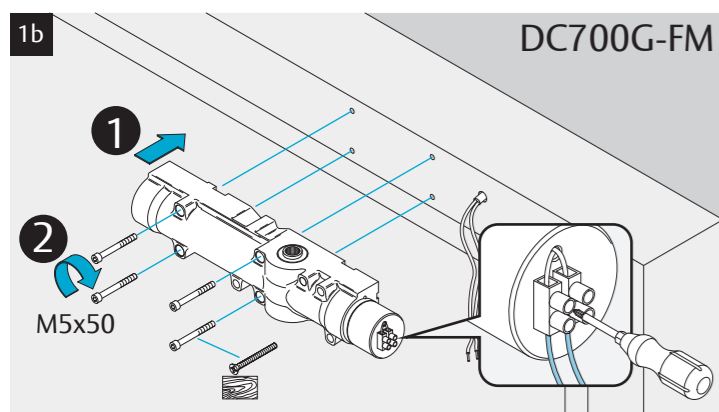
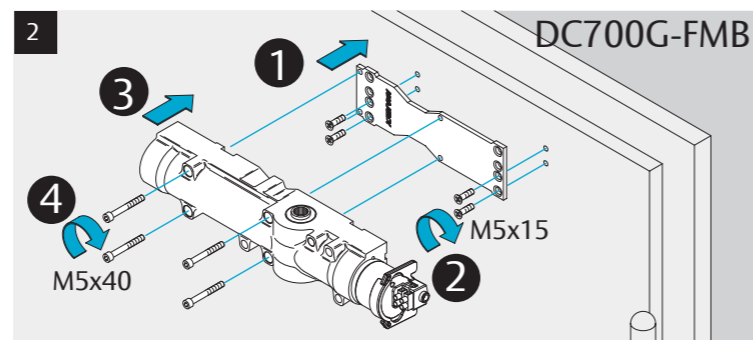
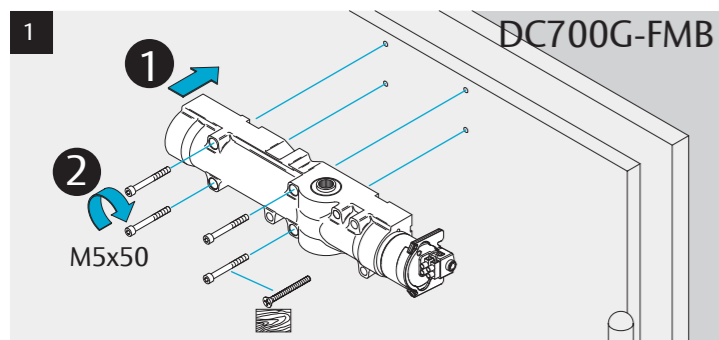
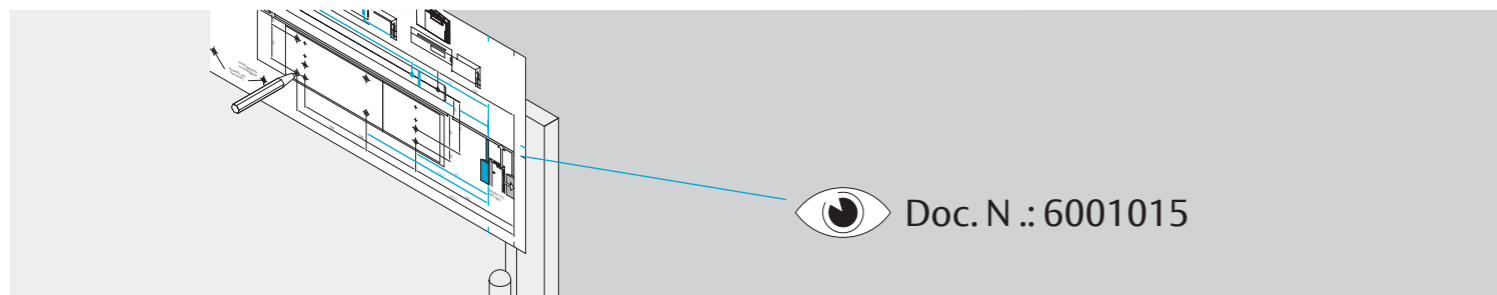
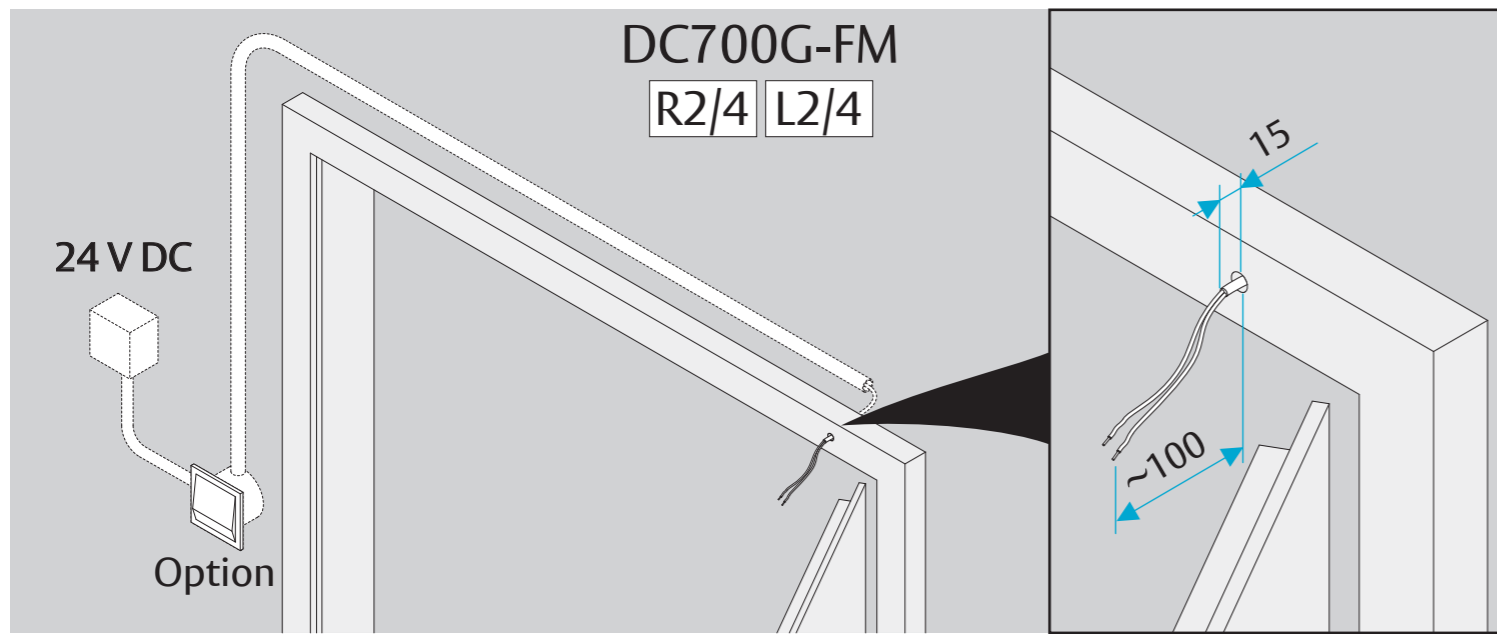


$U_B$  : 24 V DC  $\pm$ 15%  
I: 90 mA  
100% ED



CE	Abloy Oy, PO Box 108 80101 Joensuu Finland			15			
	DC700G-FM				EN 1155:1997/A1:2002/AC:2006-02 EN 1154:1996/A1:2002/AC:2006-02 0432-CPR-00008-06	3	8
Dangerous substances: None							





**ASSA ABLOY**

Abloy Oy  
P.O.Box 108  
80101 Joensuu  
FINLAND  
Tel.: +358-20 599 2501  
Fax: +358-20 599 2209  
www.assaabloy.com  
www.abloy.com/dop

28.2.2018